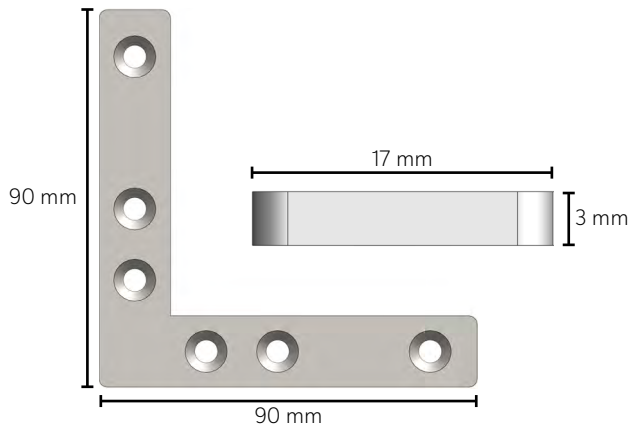


90° FLAT BRACKET

Use: To join aluminium skirting trim at right angles.



TECHNICAL CHARACTERISTICS

Material	Stainless steel 304 A2
Weight	56.9 g
Description	90° flat bracket with screws

